

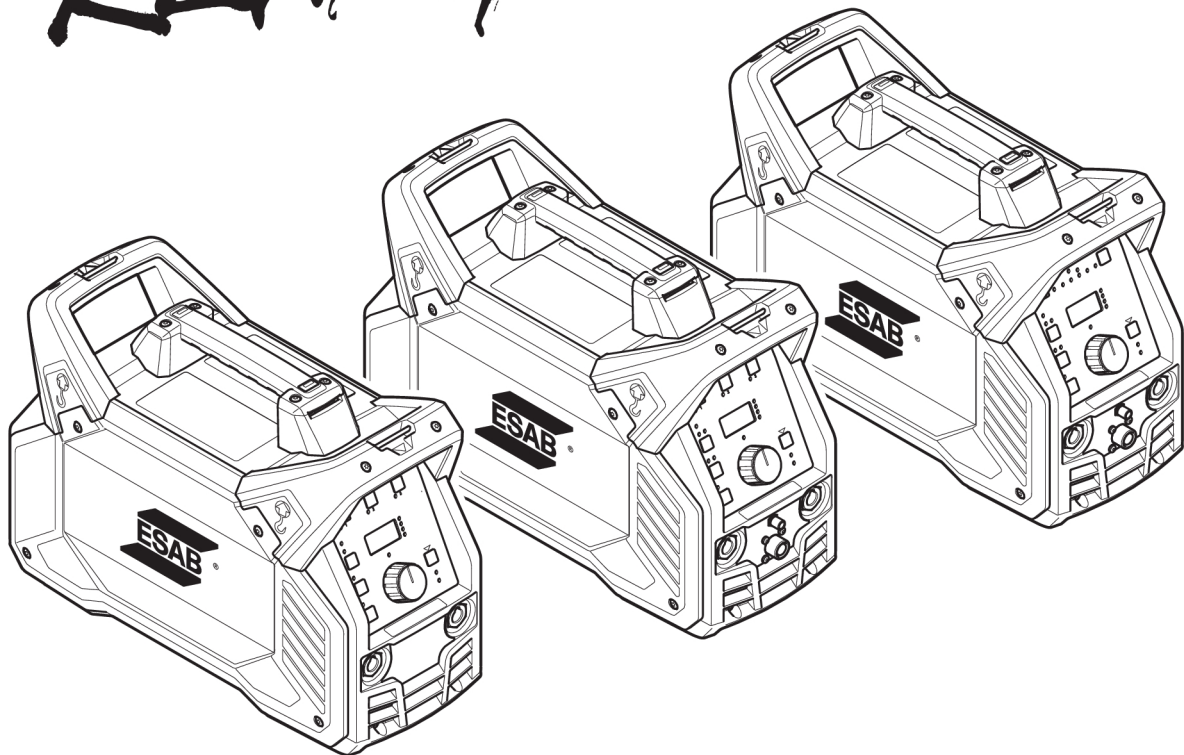


Renegade

ES 300i, ET 300i, ET 300iP

Welding power source

RENEGADE™



Spare parts list

Ordering no.	Product	Notes	Serial no.
0445 100 880	ES 300i	Europe, CE	627-, 719-, 725-, 742-, 815-xxx-xxxx
0445 100 881	ES 300i	North America, CSA	643-, 719-, 742-xxx-xxxx
0445 100 882	ES 300i	South America	643-, 719-, 742-xxx-xxxx
0445 100 883	ES 300i	Australia, CE	627-, 719-, 725-, 742-xxx-xxxx
0445 100 884	ES 300i	China, CCC	825-xxx-xxxx
0445 100 900	ET 300i	Europe, CE	721-, 742-, 815-xxx-xxxx
0445 100 903	ET 300i	Australia, CE	721-, 742-xxx-xxxx
0445 100 904	ET 300i	China, CCC	825-xxx-xxxx
0445 100 920	ET 300iP	Europe, CE	721-, 742-, 815-xxx-xxxx
0445 100 921	ET 300iP	North America	721-, 742-xxx-xxxx
0445 100 922	ET 300iP	South America	721-, 742-xxx-xxxx
0445 100 923	ET 300iP	Australia, CE	721-, 742-xxx-xxxx
0445 100 924	ET 300iP	China, CCC	825-xxx-xxxx

Spare parts may be ordered through your nearest ESAB dealer, see esab.com. When ordering, please state product type, serial number, denominations and ordering numbers according to the spare parts list. This facilitates dispatch and ensures correct delivery.

Maintenance and repair work should be performed by an experienced person, and electrical work only by a trained electrician. Use only recommended spare parts.

SPARE PARTS	4
Housing module	4
Primary module	6
Secondary module	8
Transformer module	10
Output inductor module	11
Setting panel module - ES 300i EU & AU & CCC	12
Setting panel module - ES 300i NA & SA	13
Setting panel module - ET 300i, ET 300iP EU & AU & CCC	14
Setting panel module - ET 300iP NA & SA	15
PS control module	16
WP module MMA	18
WP module TIG	19
Input module - EU & AU	20
Input module - NA & SA	21
Input module - CCC	22

SPARE PARTS

Housing module

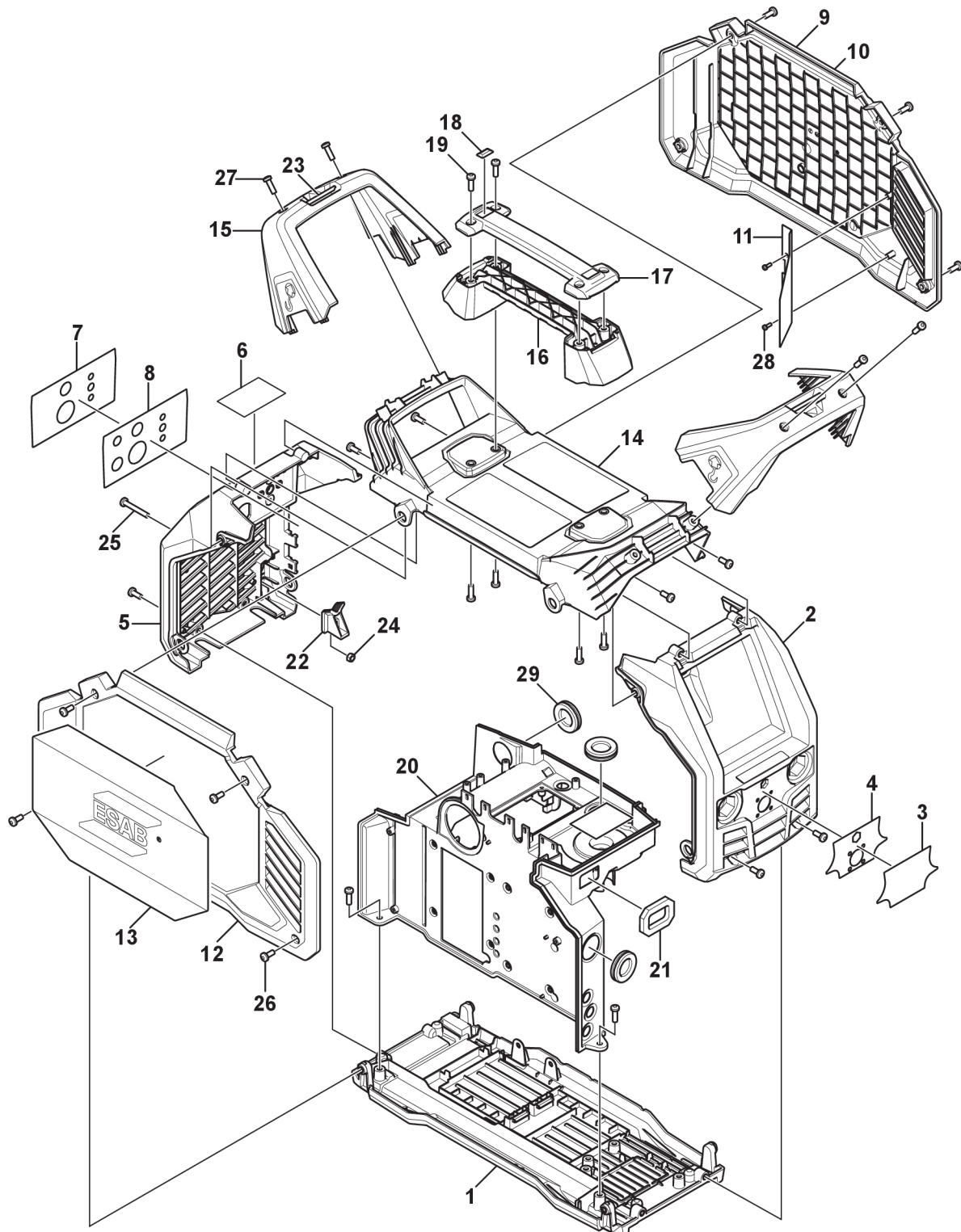
C = Component designation in the circuit diagram

Item	Qty	Ordering no.	Denomination	Notes	C
1	1	0465 953 001	Bottom panel		
2	1		Front panel	See item 50 and 51	
3	1		Front decal MMA	See item 50 and 51	
4	1		Front decal TIG	See item 50 and 51	
5	1		Rear panel	See item 52 and 53	
6	1		PS0 Lifting instructions	See item 52 and 53	
7	1		Rear decal MMA	See item 52 and 53	
8	1		Rear decal TIG	See item 52 and 53	
9	1		Side panel right	See item 54	
10	1		Side panel overlay	See item 54	
11	1		IP Shield	See item 54	
12	1		Side panel left	See item 55	
13	1		Side panel overlay	See item 55	
14	1	0465 951 001	Top panel		
15	2	0465 952 001	Handle cover		
16	1	0464 536 001	Handle top, base		
17	1		Handle top, cover	See item 56	
18	2		ESAB label	See item 56	
19	4		Screw	See item 56	
20	1	0465 964 001	Intermediate wall		
21	1	0445 120 001	Cable passage gasket		
22	1	0464 538 001	Stopping block		
23	2	0445 129 001	Pin		
24	1		Nut	M5 6K Steel 8.8	
25	1		Screw	MRT M5×35 black	
26	16		Screw	MRT M5×12 black	
27	14		Screw	Remform 5×16 black	
28	2		Screw	Remform Torx 3×8	
29	1	0194 069 002	Rubber inlet	28 mm	

Item	Qty	Ordering no.	Denomination	Notes	C
50	1	0464 567 880	Front panel MMA	Incl. front panel with decal.	
51	1	0464 567 881	Front panel TIG	Incl. front panel with decal.	
52	1	0464 568 882	Rear panel MMA	From serial no. 719-. Incl. front panel with decal.	
	1	0464 568 880	Rear panel MMA	Before serial no. 719-. Incl. rear panel with decals.	

Item	Qty	Ordering no.	Denomination	Notes	C
53	1	0464 568 881	Rear panel TIG	Incl. rear panel with decals.	
54	1	0464 566 880	Side panel right	Incl. side panel with decal.	
55	1	0464 566 881	Side panel left	Incl. cover with decals.	
56	1	0464 565 880	Top handle kit	Incl. cover with decals.	

Housing module

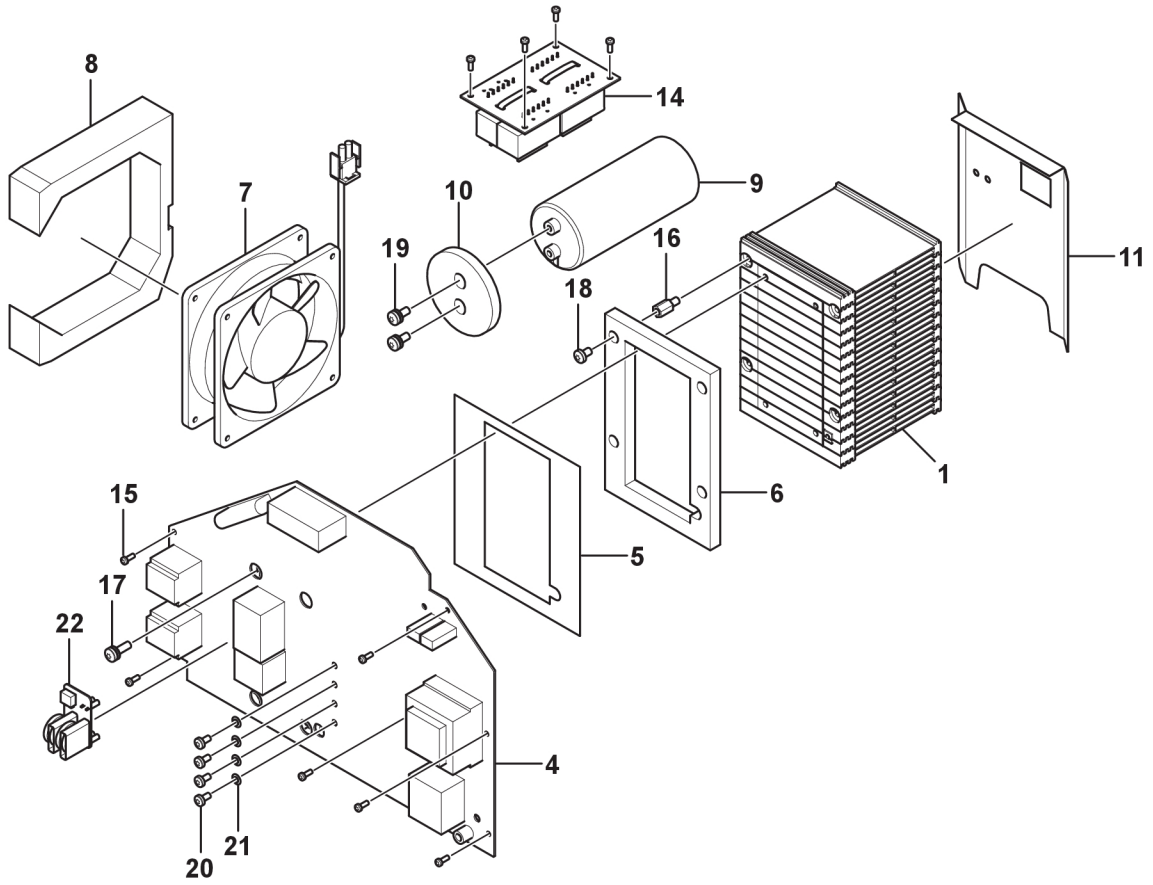


Primary module

C = Component designation in the circuit diagram

Item	Qty	Ordering no.	Denomination	Notes	C
1	1		Primary heat sink		
4	1		PCBA power board	See item 60	15AP1
6	1	0445 050 001	Module seal		
7	1	0445 079 880	PS0 fan complete		15EV1
8	1	0445 049 001	Fan foam		
9	1	0462 178 002	Capacitor		15C1
10	1	0445 051 001	Capacitor foam		
11	1		Air baffle	See item 61	
14	1	0445 092 880	PFC Inductor board assembly		
15	10		Screw	Reform Torx 3×8	
16	4		Spacing screw	M5×12	
17	4		Screw MRT combi	M5×16 Torx	
18	6		Screw	MRT M5×8 black	
19	2		Screw MRT combi	M5×12 Torx	
20	4		Screw	MRT M4×8 black	
21	4		Cup spring A-8-1	8/4.2/0.4	
22	1	0440 237 880	Surge protection board	Replaces varistor harness	

Item	Qty	Ordering no.	Denomination	Notes	C
60	1	0464 563 881	Power board kit	Including PCBA, nomex sheet, thermal compound and screws	
61	1	0464 564 880	Air baffle kit	Including decals	



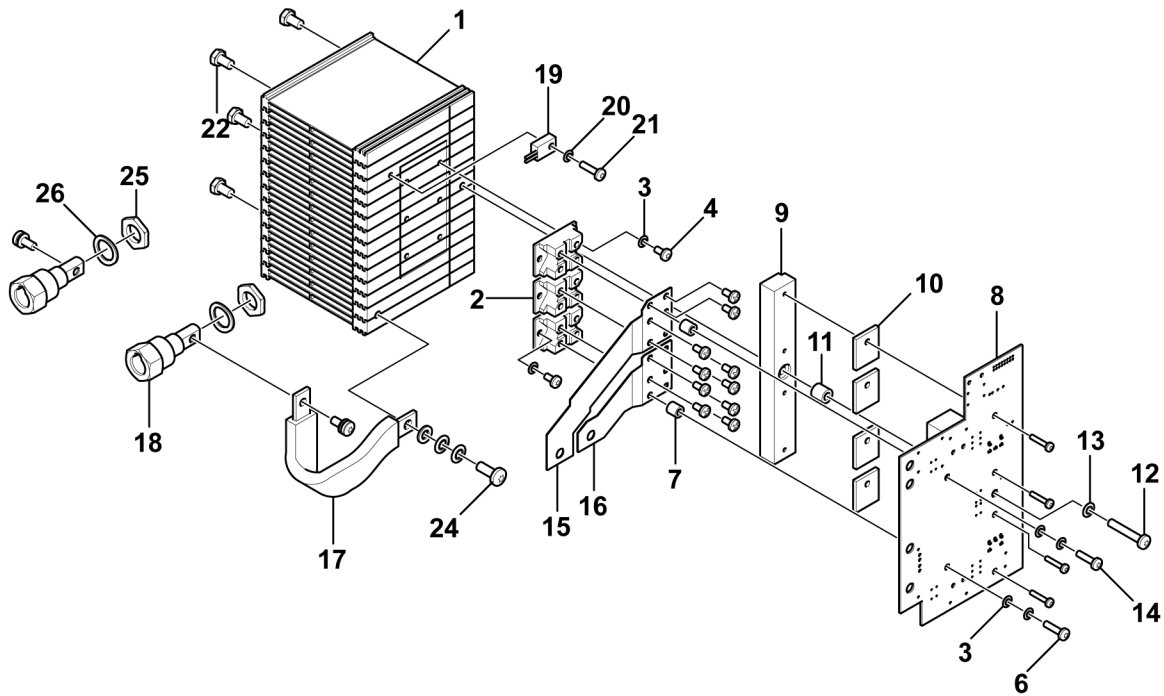
Secondary module

C = Component designation in the circuit diagram

Item	Qty	Ordering no.	Denomination	Notes	C
1	1		Secondary heat sink		
2	3		Diode	See item 70	15PM2– 15PM4
3	10		Cup spring A-8-1	8/4.2/0.4	
4	6		Screw MRT	M4×8 black	
6	2		Screw MRT	M4×16 black	
7	2		Spacer	8 mm×4.3 mm	
8	1		PCBA Booster board	See item 71	27AP1
9	1		Heat sink bar	See item 71	
10	4		Ceramic plate	See item 71	
11	1		Spacer	10 mm×5.3 mm	
12	1		Screw MRT	M5×30	
13	1		Cup spring A-10-1	10/5.2/0.5	
14	4		Screw MRT	M3×16 black	
15	1	0445 066 001	Copper bar upper diode		
16	1	0445 067 001	Copper bar lower diode		
17	1	0445 165 001	Flex copper bar lower		
18	2	0160 362 025	OKC 50 contact	See item 73	
19	1		Thermo switch harness	See item 72	27SW1
20	1		Screw MRT	M4×16	
21	1		Cup spring A-8-1	8/4.2/0.4	
22	4		Nylon screw M6×10		
23	2		Screw MRT combi	M5×12 Torx	
24	1		Screw MRT combi	M6×16	
25	2	0366 247 001	Nut OKC25 21×3 M14	See item 73	
26	2	0366 306 003	Spring washer	See item 73	
Item	Qty	Ordering no.	Denomination	Notes	C
70	1	0464 570 880	Diode kit	Incl. diodes, thermal compound, screws, cup springs, spacers and thermal compound	
71	1	0464 569 881	Booster board kit	For ET 300i, ES 300i, ET 300iP. Incl. PCBA, heat sink bar, ceramic plates, screws, cup springs, spacers and thermal compound	

SPARE PARTS

Item	Qty	Ordering no.	Denomination	Notes	C
72	1	0464 571 880	Thermo switch kit	Incl. thermo switch, screw, cup spring and thermal compound	
73	1	0464 752 156	OKC 50 contact kit	Incl. OKC, nut and spring washer	

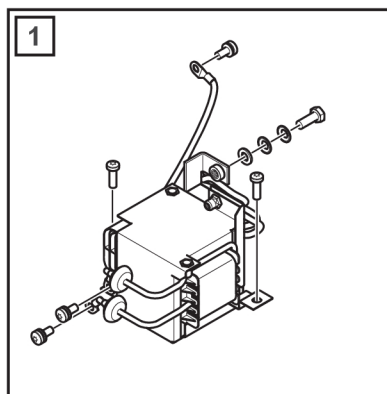


Transformer module

C = Component designation in the circuit diagram

Item	Qty	Ordering no.	Denomination	Notes	C
1	1		Transformer module		
	1		Transformer		16T1
	1		Transformer bracket		
	1		Transformer clamp		
	3		Screw MRT combi	M6×16	
	3		Screw MRT combi torx (Combi)	M5×12	
	4		Cup A-10-1	10/5.2×0.5	
	2		Screw Remform	5×16 black	
	1		Spacer	10 mm×5.3 mm	
	1		Screw MRT	M5×8	
	1		Screw MRT	M5×16	

Item	Qty	Ordering no.	Denomination	Notes	C
101	1	0464 585 880	Transformer kit CE		
102	1	0464 585 881	Transformer kit CSA		

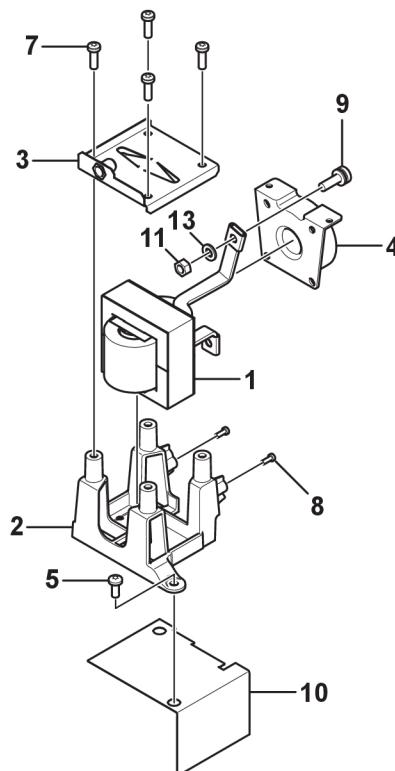


Output inductor module

C = Component designation in the circuit diagram

Item	Qty	Ordering no.	Denomination	Notes	C
	1		Output inductor module		
1	1		Inductor		19L1
2	1		Inductor holder		
3	1		Inductor clamp		
4	1	0458 063 006	Current sensor 300A		19CS1
5	2		Screw MRT M5×12 black		
6	1		Nylon Screw M6×10		
7	4		Screw Remform 5×16 black		
8	2		Screw Remform torx 3×8		
9	1		Screw M6×20		
10	1		Transformer IP protection		
11	1		Hexagon nut with flange	M6	
12	1		Booster PCB cable		
13	2		Plain washer 3-200 HV-A2K		

Item	Qty	Ordering no.	Denomination	Notes	C
91	1	0464 586 880	Inductor kit		

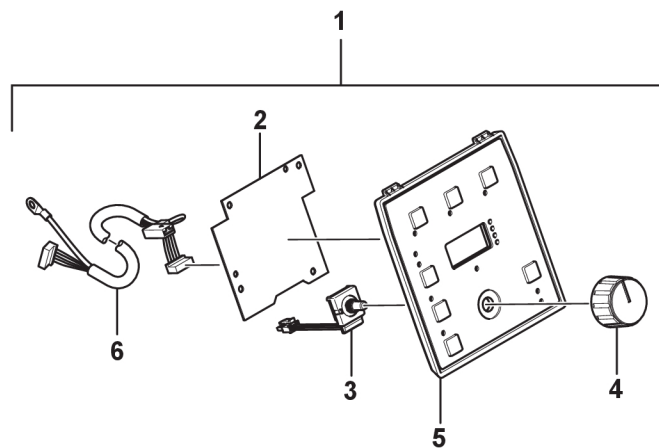


Setting panel module - ES 300i EU & AU & CCC

C = Component designation in the circuit diagram

Item	Qty	Ordering no.	Denomination	Notes	C
1	1	0445 060 881	Setting panel complete	The product needs to be configured after replacement, see the service manual.	
2	1		PCBA UI board	Incl. in 81	1AP1
3	1		Encoder complete	Incl. in 82	
4	1	0321 475 893	Knob D36-1/4IN AristoFeed		
5	1	0440 179 881	Membrane panel compl. A35		
6	1	0445 132 880	Setting panel cable		

Item	Qty	Ordering no.	Denomination	Notes	C
81	1	0464 579 880	PCBA UI board kit	The product needs to be configured after replacement, see the service manual.	
82	1	0464 580 880	Encoder kit		

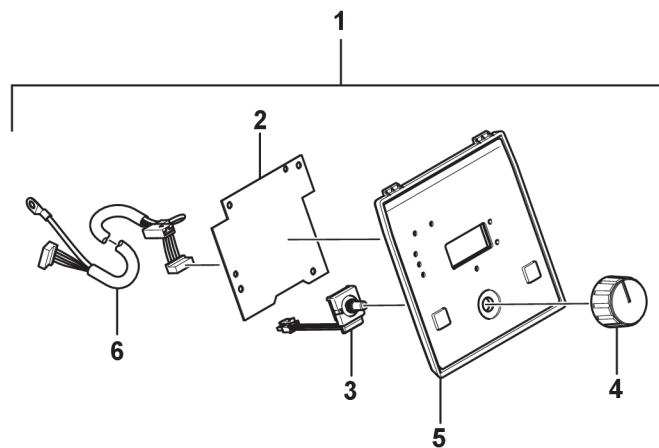


Setting panel module - ES 300i NA & SA

C = Component designation in the circuit diagram

Item	Qty	Ordering no.	Denomination	Notes	C
1	1	0445 060 884	Setting panel complete	The product needs to be configured after replacement, see the service manual.	
2	1		PCBA UI board	Incl. in 81	1AP1
3	1		Encoder complete	Incl. in 82	
4	1	0321 475 893	Knob D36-1/4IN AristoFeed		
5	1	0445 547 880	Membrane panel compl. A35		
6	1	0445 172 880	Setting panel cable		

Item	Qty	Ordering no.	Denomination	Notes	C
81	1	0464 579 880	PCBA UI board kit	The product needs to be configured after replacement, see the service manual.	
82	1	0464 580 880	Encoder kit		

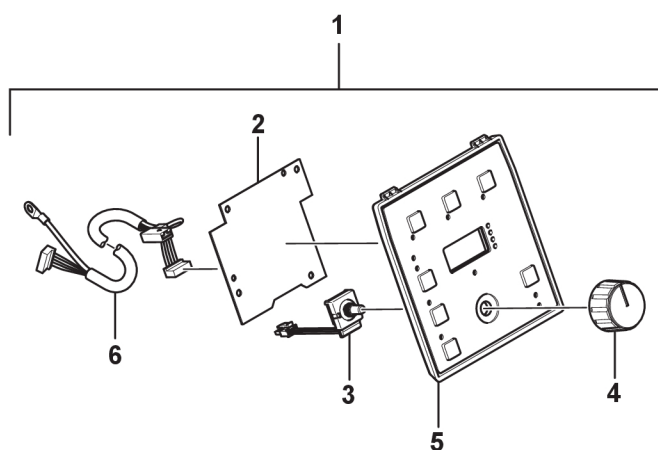


Setting panel module - ET 300i, ET 300iP EU & AU & CCC

C = Component designation in the circuit diagram

Item	Qty	Ordering no.	Denomination	Notes	C
1	1	0445 060 882	ET 300i : Setting panel complete	The product needs to be configured after replacement, see the service manual.	
	1	0445 060 883	ET 300iP : Setting panel complete	The product needs to be configured after replacement, see the service manual.	
2	1		PCBA UI board	Incl. in 81	1AP1
3	1		Encoder complete	Incl. in 82	
4	1	0321 475 893	Knob D36-1/4IN AristoFeed		
5	1	0440 179 882	ET 300i : Membrane panel compl. TA35		
	1	0440 179 883	ET 300iP : Membrane panel compl. TA36		
6	1	0445 132 881	Setting panel cable		

Item	Qty	Ordering no.	Denomination	Notes	C
81	1	0464 579 881	PCBA UI board kit	The product needs to be configured after replacement, see the service manual.	
82	1	0464 580 880	Encoder kit		

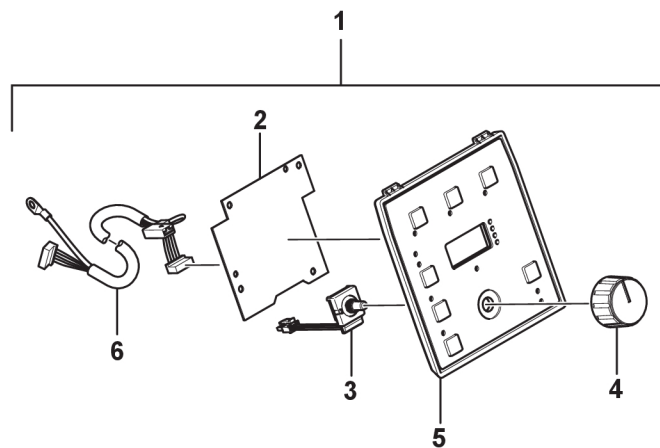


Setting panel module - ET 300iP NA & SA

C = Component designation in the circuit diagram

Item	Qty	Ordering no.	Denomination	Notes	C
1	1	0445 060 885	Setting panel complete	The product needs to be configured after replacement, see the service manual.	
2	1		PCBA UI board	Incl. in 81	1AP1
3	1		Encoder complete	Incl. in 82	
4	1	0321 475 893	Knob D36-1/4IN AristoFeed		
5	1	0440 179 884	Membrane panel compl. TA36 NA		
6	1	0445 132 881	Setting panel cable		

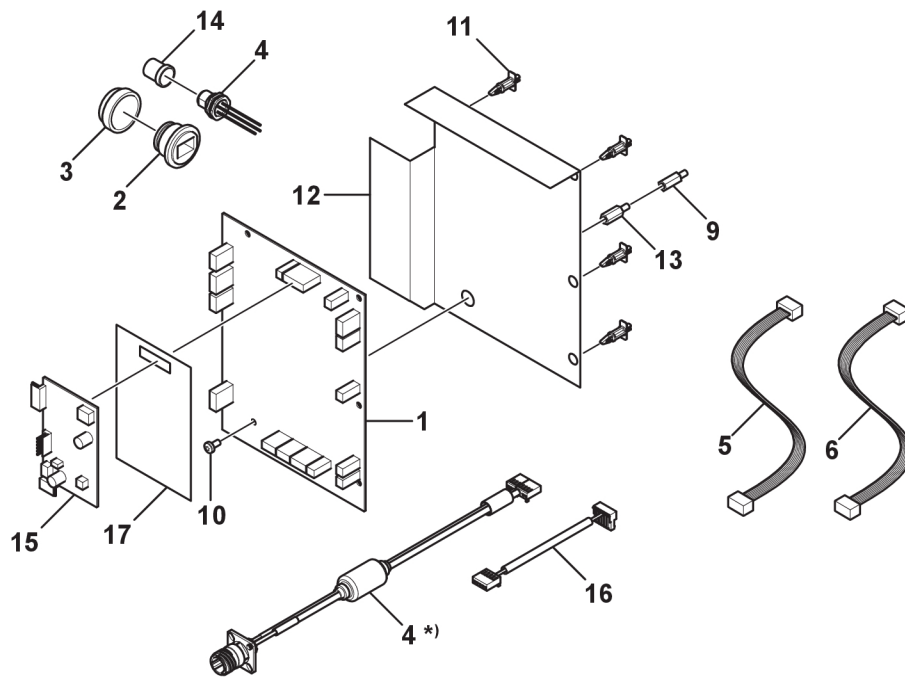
Item	Qty	Ordering no.	Denomination	Notes	C
81	1	0464 579 881	PCBA UI board kit	The product needs to be configured after replacement, see the service manual.	
82	1	0464 580 880	Encoder kit		



PS control module

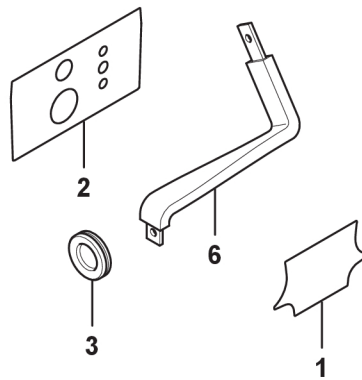
C = Component designation in the circuit diagram

Item	Qty	Ordering no.	Denomination	Notes	C
1	1	0440 146 881	PCBA Control board	For ES 300i, ET 300i and ET 300iP. The product needs to be configured after replacement, see the service manual.	20AP1
2	1	0445 329 880	USB connector assembly		20XS2
3	1	0445 331 001	USB cover		
4	1	0445 157 880	Remote control cable harness, digital control	For ES 300i before serial no. 719-.	20XS1
	1	0445 213 880	Remote control cable harness, digital control	For ES 300i from serial no. 719-. For ET 300i, ET 300iP.	20XS1
4 *)	1	0445 213 881	Remote control cable harness, analogue control	From serial no. 815-	20XS1
5	1	0465 329 880	Ribbon cable 20 pol		
6	1	0465 349 880	Ribbon cable 12 pol		
7	1		Control cable harness		
8	1		Gate drive harness		
9	1		Spacing screw	M4×15	
10	1		Screw MRT	M4×8 black	
11	4		Spacer	12.7 mm	
12	1	0445 137 001	Nomex for control PCB		
13	1		Spacing screw	M4×18	
14	1	0445 195 001	Cap	For ES 300i before serial no. 719-. 12.7 mm	
	1	0445 195 002	Cap	For ES 300i from serial no. 719-. For ET 300i, ET 300iP. 15.9 mm	
15	1	0440 297 880	Printed circuit board assembly Analogue remote A/D board	Factory installed only from serial no. 815-	20AP2
16	1	0445 723 880	Control board to remote cable harness	Factory installed only from serial no. 815-	
17	1	0445 835 001	PCBA Insulation sheet	Factory installed only from serial no. 815-	



WP module MMA**C = Component designation in the circuit diagram**

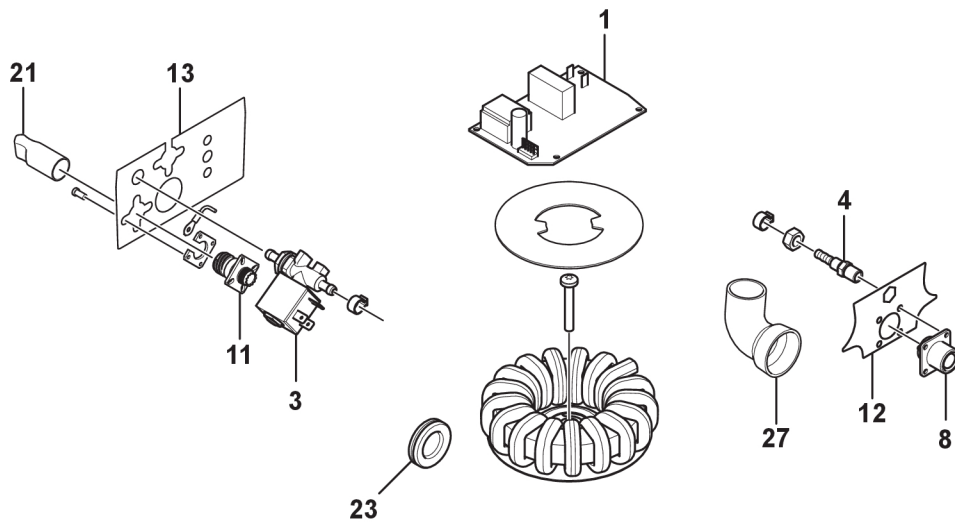
Item	Qty	Ordering no.	Denomination	Notes	C
1	1		Front decal MMA	Incl. in 50	
2	1		Rear decal MMA	Incl. in 52	
3	1	0194 069 002	Rubber inlet	28 mm	
6	1	0445 159 001	Flex copper bar upper		



WP module TIG

C = Component designation in the circuit diagram

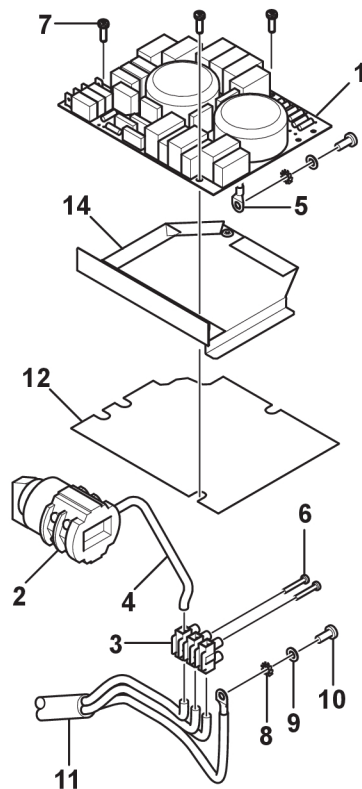
Item	Qty	Ordering no.	Denomination	Notes	C
1	1	0440 213 880	PCBA TIG Board		
3	1	0193 054 009	Solenoid valve		
4	1	0459 269 002	Gas connector		
8	2	0445 082 880	TIG trigger harness		
11	1	0445 080 880	TIG rear harness		
12	1		Front decal TIG	included in 51	
13	1		Rear decal TIG	included in 53	
21	1	0445 195 002	Cup	15.9 mm (0.78 in.)	
23	1	0194 069 002	Rubber inlet	28 mm (1.10 in.)	
27	1	0445 502 001	Insulating sleeve		



Input module - EU & AU

C = Component designation in the circuit diagram

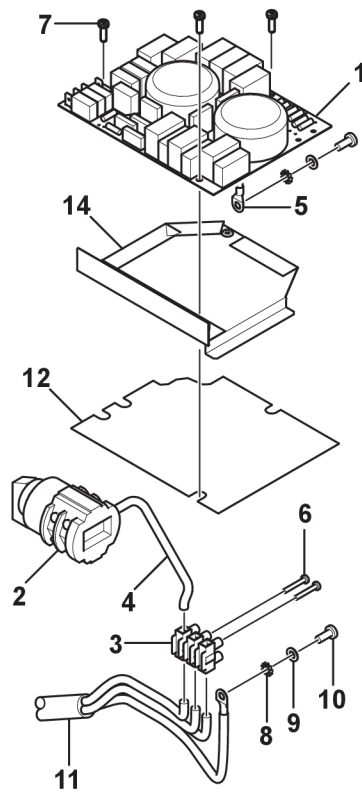
Item	Qty	Ordering no.	Denomination	Notes	C
1	1	0440 174 880	PCBA EMC filter B		2AP1
2	1	0465 965 001	Main switch		2SW1
3	1		Terminal 3-POL 60		2XS1
4	1		Main switch cable		
5	1		Grounding cable		
6	2		Screw MRT	M3×16	
7	4		Screw Remform TOR	3×8	
8	2		Screw MRT DIN7985	M5×12	
9	2		Washer	D10/5.3	
10	2		Washer	PN-EN ISO	
11	1		Main supply cable		
12	1	0445 188 001	Nomex sheet		
13	1		Cable binders	TK/PCV 14/	



Input module - NA & SA

C = Component designation in the circuit diagram

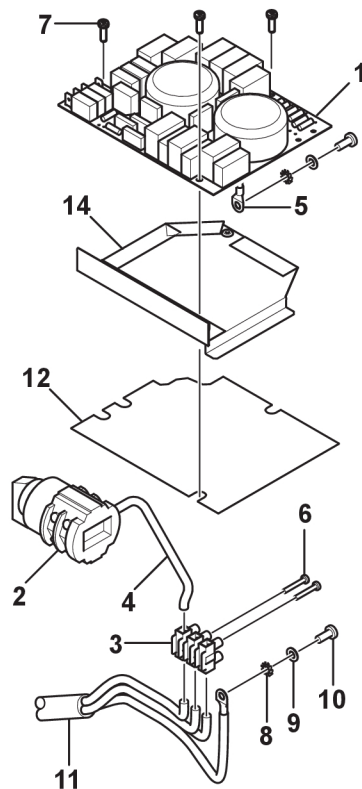
Item	Qty	Ordering no.	Denomination	Notes	C
1	1	0440 174 880	PCBA EMC filter B		2AP1
2	1	0465 965 001	Main switch		2SW1
3	1		Terminal 3-POL 60		2XS1
4	1		Main switch cable		
5	1		Grounding cable		
6	2		Screw MRT	M3×16	
7	4		Screw Remform TOR	3×8	
8	2		Screw MRT DIN7985	M5×12	
9	2		Washer	D10/5.3	
10	2		Washer	PN-EN ISO	
11	1		Main supply cable		
12	1	0445 188 001	Nomex sheet		
13	1		Cable binders	TK/PCV 14/	



Input module - CCC

C = Component designation in the circuit diagram

Item	Qty	Ordering no.	Denomination	Notes	C
1	1	0440 174 880	PCBA EMC filter B		2AP1
2	1	0465 965 001	Main switch		2SW1
3	1		Terminal 3-POL 60		2XS1
4	1		Main switch cable		
5	1		Grounding cable		
6	2		Screw MRT	M3×16	
7	4		Screw Remform TOR	3×8	
8	2		Screw MRT DIN7985	M5×12	
9	2		Washer	D10/5.3	
10	2		Washer	PN-EN ISO	
11	1	0445 245 880	Main supply cable		
12	1	0445 188 001	Nomex sheet		
13	1		Cable binders	TK/PCV 14/	





A WORLD OF PRODUCTS AND SOLUTIONS.



For contact information visit esab.com

ESAB AB, Lindholmsallén 9, Box 8004, 402 77 Gothenburg, Sweden, Phone +46 (0) 31 50 90 00

manuals.esab.com

